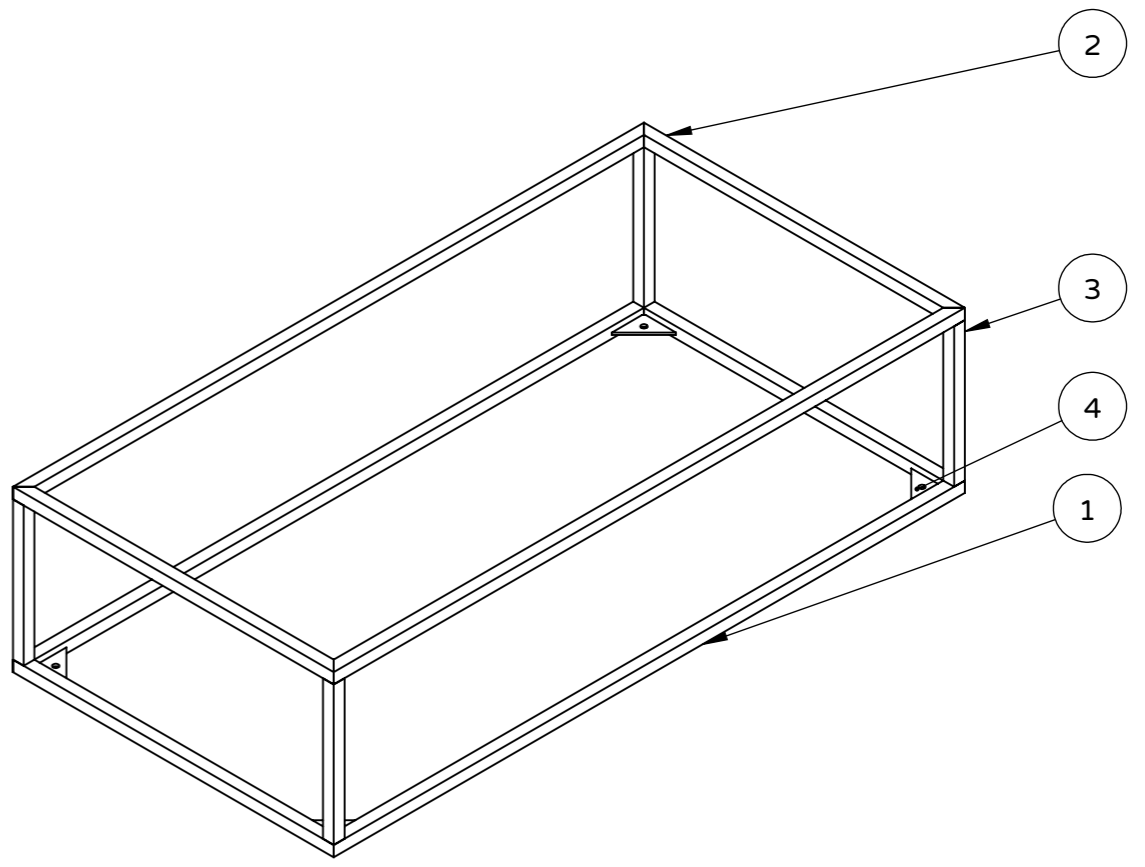
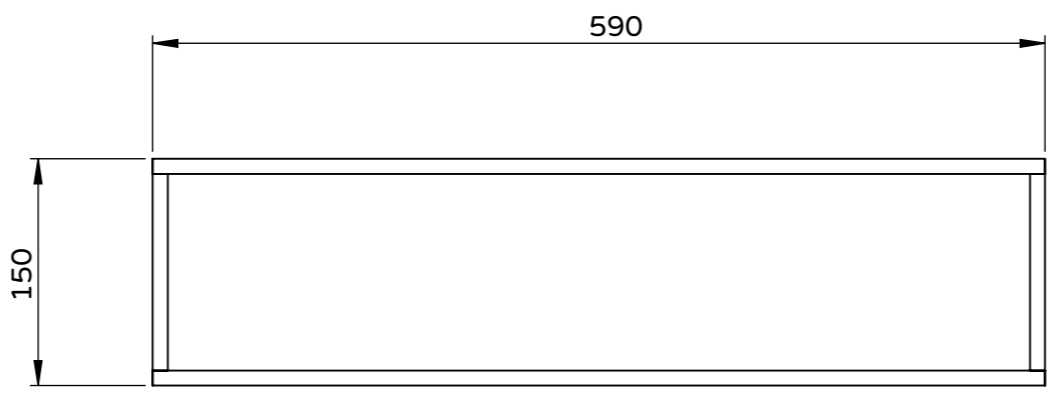
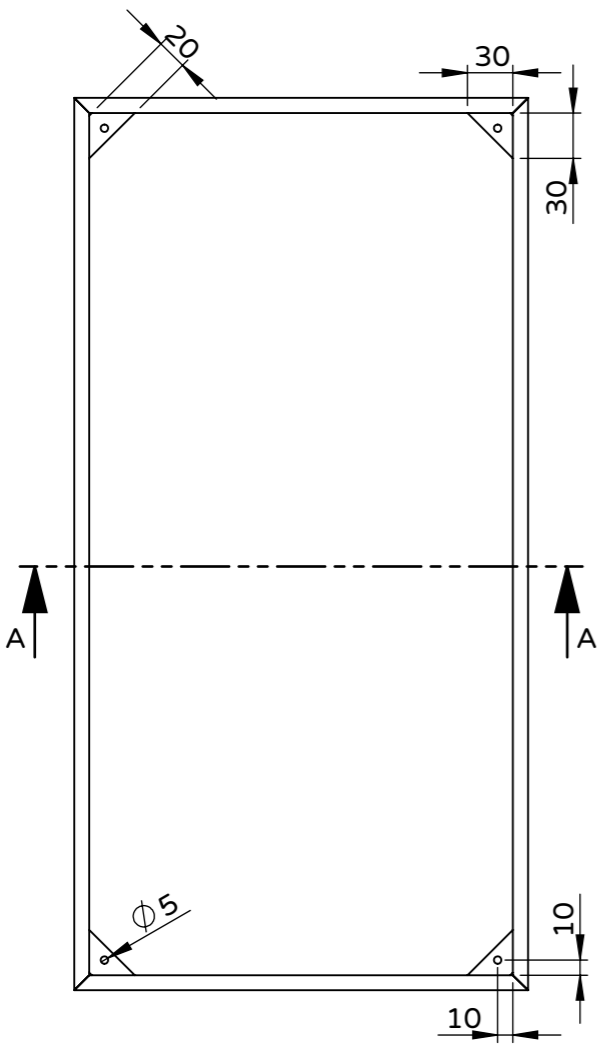


Depends on thickness wood

SECTION A-A



ITEM NO.	PART NUMBER	DESCRIPTION	QTY.
1	square rod 10x10mm 590mm		4
2	square rod 10x10mm 300mm		4
3	square rod 10x10mm 130mm		4
4	strip 20x2mm 43		4

Title			
Frame display rectangle			
Type	Workspace	Material	Steel
Version	1.1	Scale	1:5
Date	19-09-2017	Size	A3
Drawn by	Jerry de Vos	Units	MM
Company	Precious Plastic	Sheet	3/5